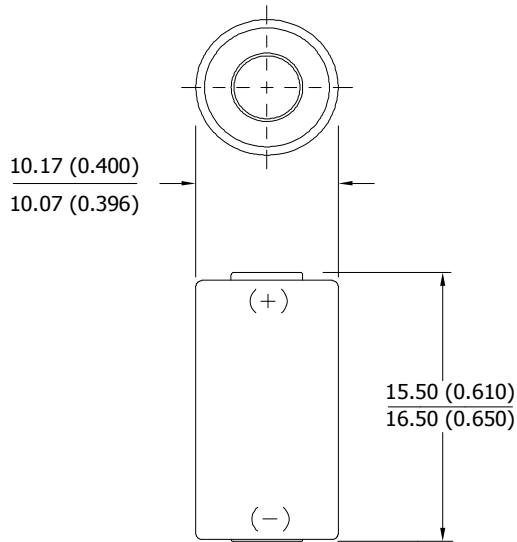


# ENERGIZER E11A

**Miniature Alkaline**



## Industry Standard Dimensions mm (inches)



## Specifications

- Classification:** "Miniature Alkaline"
- Chemical System:** Manganese Dioxide (MnO<sub>2</sub>)
- Designation:** N/A
- Nominal Voltage:** 6.0 volts
- Typical Capacity:** 38 mAh to 3.0 volts (rated at 10k ohms at 21°C)
- Typical Weight:** 4.0 grams (0.15 oz)
- Jacket:** Metal

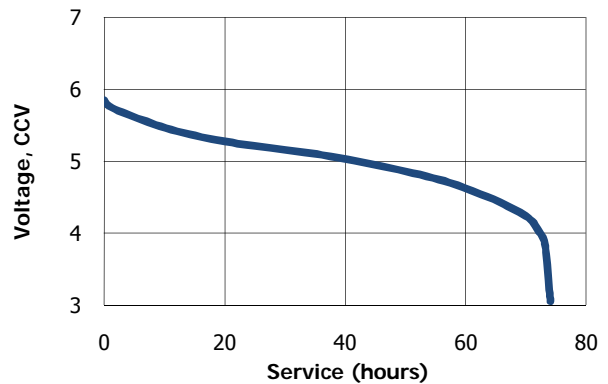
## Typical Discharge Durations

21°C (70°F)

Schedule (time)	Drain (mA)	Load (ohms)	Cutoff Voltage		
			5.6V (hours)	4.8V (hours)	3.0V (hours)
Continuous	0.5	10K	5.6	56	74

## Discharge Characteristics

Schedule: Continuous  
Typical Load: 10KΩ (21°C)



### Important Notice

This datasheet contains typical information specific to products manufactured at the time of its publication.  
©Energizer Holdings, Inc. - Contents herein do not constitute a warranty.