

# 6000 TWIN LIFT Stepstool



## - Reach for the sky

Tolerates heavy use without losing its looks:

- Dent proof
- Scratch proof
- Rust proof

Mobile on spring loaded castors that retract when weight is applied

Design:  
Paul B. Buch

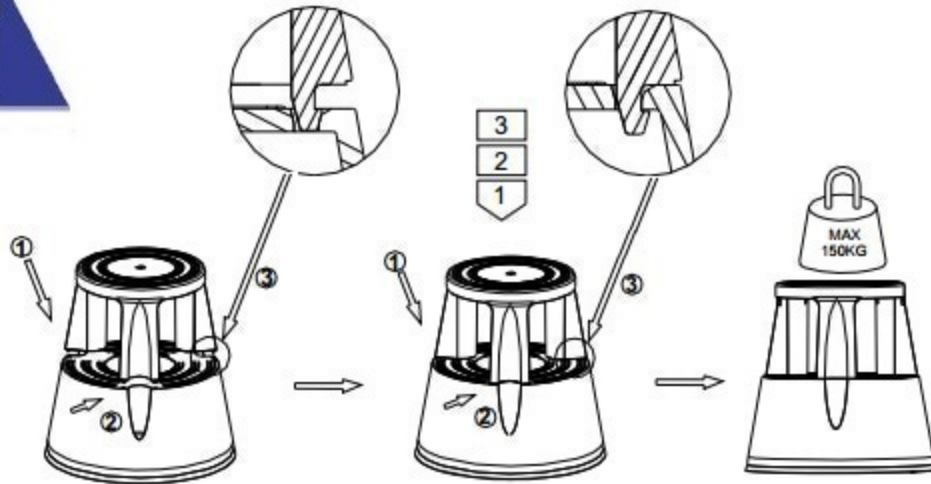
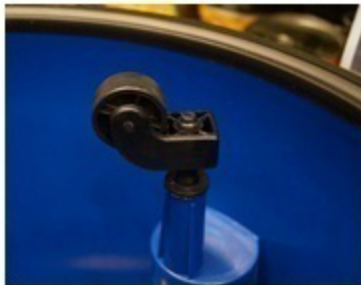
Capacity: 150 kg

Colours:

**2 Year Warranty**

6000-1 Black (RAL 9005)  
6000-5 Blue (RAL 5005)

6000-4 Red (RAL 3020)  
6000-9 Grey (RAL 7035)



**Logistics**  
EAN Code

Item No.	Product	Barcode	Customs tariff No.
6000-1	TWIN LIFT Stepstool	5708950 600015	94037090
6000-4	TWIN LIFT Stepstool	5708950 600046	94037090
6000-5	TWIN LIFT Stepstool	5708950 600053	94037090
6000-9	TWIN LIFT Stepstool	5708950 600091	94037090



**Pallet**

Item No.	Gross weight	Net weight	Tara (KG)	M <sup>3</sup>	H x L x B (M)	Units per pallet	Pallet height (M)
6000	2,50	2,15	0,35	0,0453	0,23x0,45x0,45	48	1,99