

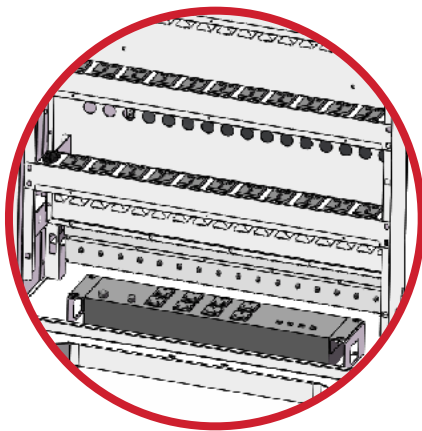
Parotec “P-TEC T32V MKII” Cart

The “P-TEC” T32V MKII / T32-PLUS-MKII mobile cart is available as Charge Only or Charge “N” Sync
32 x Bay (24.5mm slots) to suit devices up to 16” display

Charge Only:

Supplied with standard plug socket power strips and a device timer management unit.

Easy to use with easy to use cable management built in.



Charge “N” Sync:

Supplied with a dedicated Intelligent power station enabling USB powered devices to connect.



Sequential Timer / Device Management

Supplied and fitted within “Charge Only” versions of Carts the sequential timer allows for devices to charge safely either continuously or with Pre-Set timer options such as 30mins / 1hr and more.

This protects the battery life within devices such as Chromebook’s and Laptops.

Dimensions & Weight

Height : 910mm / Width : 710mm / Depth : 710mm

Weight (No devices) : 85Kgs

Warranty : 3 Years back to Base.

Technical Specification

- Parotec "P-TEC" T32V MKII Cart (Manufacturers Code: 61-PTEC-T32V)
- Full Steel shell in powder coated paint / White main frame and Silver doors.
- Dimensions: Height 910mm / Width 710mm /Depth 710mm
- Weight (Without devices) 85kgs
- 4 x Rotating 5" castor wheels each with own lock facility
- Outside Handle for easy movement of cart.
- Built in Sequential Timer (Charge Only models) : With built in Circuit Breaker Protection.
- Inner Socket Power Strips UK or EU x11 sockets per strip across 3 x Strips.
- Charge & Sync Version : Parotec Sync Box is added providing USB charge / Data Management
- Earthing cables located in all required positions.
- External Sockets: 1 x IEC Power Cable Socket / 1 x Standard Plug Socket / 1 x USB Sync Port Socket (Charge & Sync model Carts only. Not included on charge Only carts)
- Front and Rear Single Door with locking facilities. Key Lock
- 2 x Inner pull out 50% Shelves for easier device access. Made from Steel.
- Inside high quality plastic dividers with cable management built in. Device slot spaces are 24.5mm wide.
- UK & EU Electronics approved by CASS Industries testing house for Europe : <http://www.cassindustries.com>
- Every Unit is fully PAT Tested before dispatch.
- Each cart is palletised and protected with cardboard outer or wooden shell. Inner packaging to protect units.
- CE Approved
- ISO 9001 : 2015 Certified
- Designed & Assembled in the UK

