

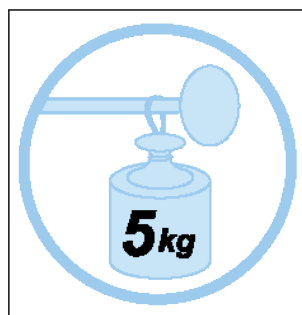
PMPRO3M

JUXTAPOSABLE WALL PEG

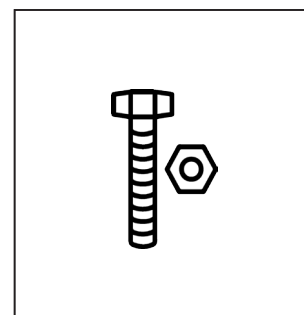
Practical and robust, this wall peg is the perfect accessory for your collective or personal spaces



3 double metal wire pegs with rounded shapes for a perfect respect of the clothes



Robust structure and strong hooks
(Can support up to 5 kg per hook)
+ clip-on PVC protection cover



Fixing system provided



The PMPRO3M coat peg with its simple and basic design is the accessory to have in its work environment / collective space. It consists of a steel structure forming the three double pegs, a clip-on PVC cover and screws provided for easy attachment.



The PMPRO3M coat peg will fit into all your collective, work and reception areas. Also, its juxtaposable structure allows to form lines of pegs.

PMPRO3M

JUXTAPOSABLE WALL PEG

**CLOSE 2
CLOTHES**

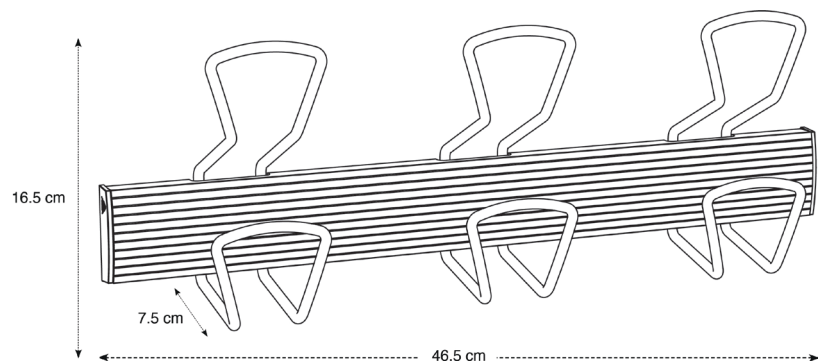
Practical and robust, this wall peg is the perfect accessory for your collective or personal spaces

PRODUCT FEATURES	
Reference	PMPRO3M
EAN	3129710013197
Materials	Structure : Epoxy painted steel + ABS
	Pegs : Steel
Color	Silver grey - Black
Product dimensions	L. 48 cm x W. 16.5 x D.7.2 cm
	Weight : 0.600 kg
Number of pegs	3 double Pegs (6)
Maximum load	5 kg /peg
Fixing system	Screws (included)
Origin	French design and development - Manufacturing in PRC
Guarantee	2 years

PACKAGING DIMENSIONS	
* Sales unit (x1UV) box	Dim. : L. 47.5 cm x W. 17.2 cm x H. 8.2 cm
	Weight : 0.900 kg
* Box master (x8UV)	Dim. : L. 50 cm x W. 38 cm x H. 36.7 cm
	9.7 kg



EXISTING DESIGN :



Quand le beau rejoint l'utile