

**ENERGIZER EN95**

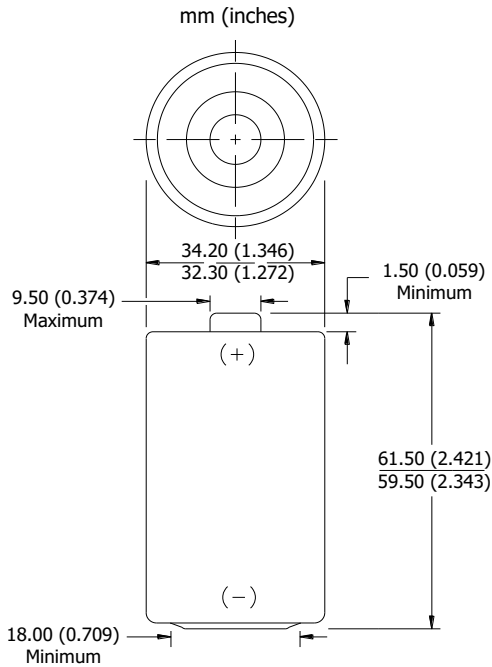
**D**



**General Information**

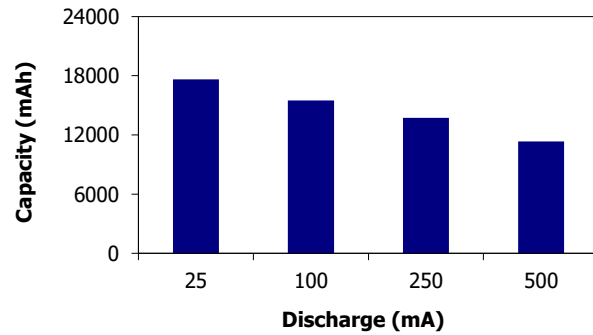
**Classification:** Alkaline  
**Chemical System:** Zinc-Manganese Dioxide (Zn/MnO<sub>2</sub>)  
 No added mercury or cadmium  
**Designation:** ANSI-13A, IEC-LR20  
**Nominal Voltage:** 1.5 volts  
**Nominal IR:** 150 to 300 milliohms (fresh)  
**Operating Temp:** -18°C to 55°C (0°F to 130°F)  
**Typical Weight:** 139 grams  
**Typical Volume:** 56 cubic centimeters  
**Shelf Life:** 10 years at 21°C  
**Terminal:** Flat Contact

**Industry Standard Dimensions**

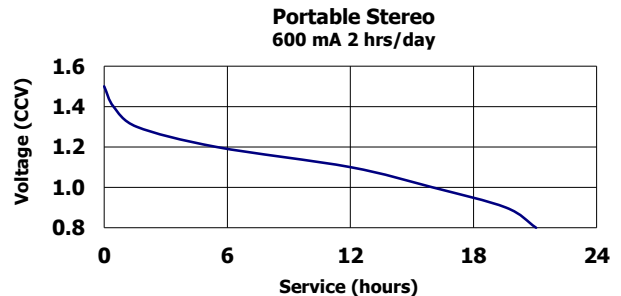
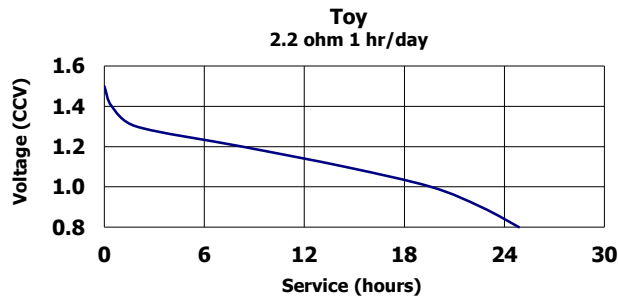
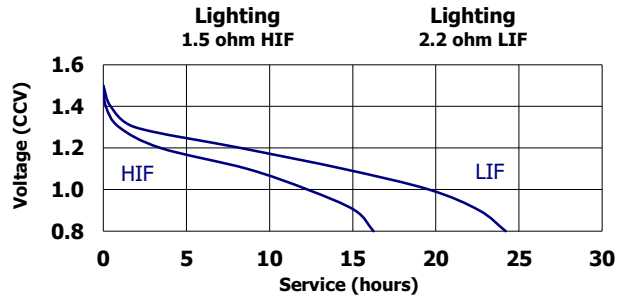
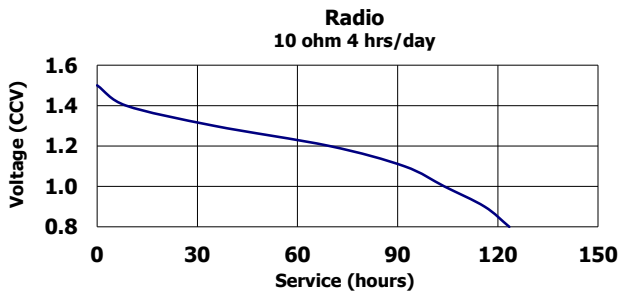


**Milliamp-Hours Capacity**

Continuous discharge to 0.8 volts at 21°C



**Industry Standard Tests (21°C)**



**Important Notice**

This datasheet contains typical information specific to products manufactured at the time of its publication.  
**Contents herein do not constitute a warranty and are for reference only.**